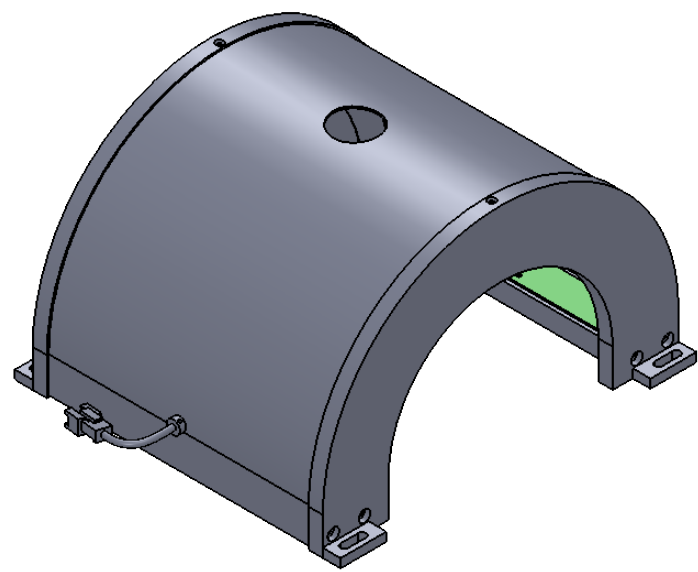
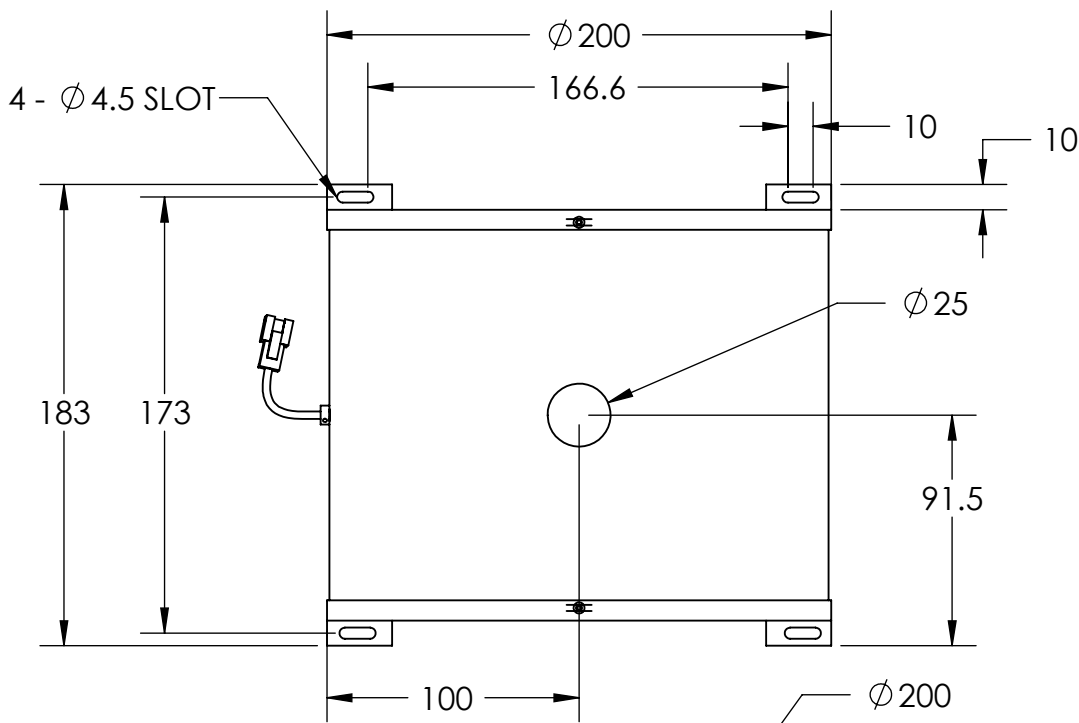


1 2 3 4 5 6 7 8

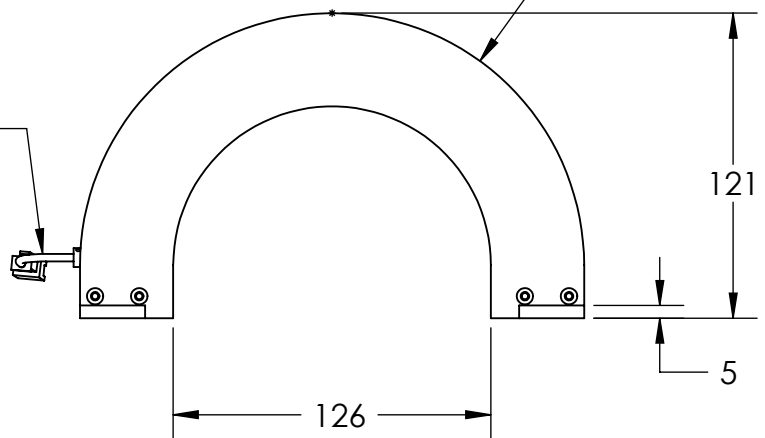
D



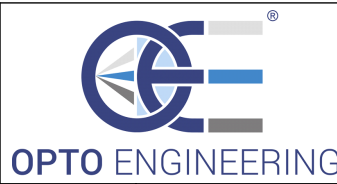
C

B

(CONNECTOR)
CABLE 50CM



A



DESIGN BY	FL LUEI
CHECK BY	KB TAN
DATE	04/06/2018
MATERIAL	-
FINISHING	-
QTY	-

UNIT:	MM
REVISION:	01
SCALE:	1 : 1

PRODUCT SERIES: LT2WRH SERIES	
TITLE	DRAWING LAYOUT
PART NO	LT2WRH200-00-1-R-24V
DWG NO	-
SHEET 1 OF 1	

1 2 3 4 5 6 7 8